

DELUX Roof Space Ladder

enzie Space Saving Stairs Pty. Ltd.
287 Arthur Street
Fairfield, Victoria
Australia, 3078
Ph. +61 3 9481 2255
Fax +61 3 9481 8919
ACN: 126 708 118
www.roofspaceladders.com



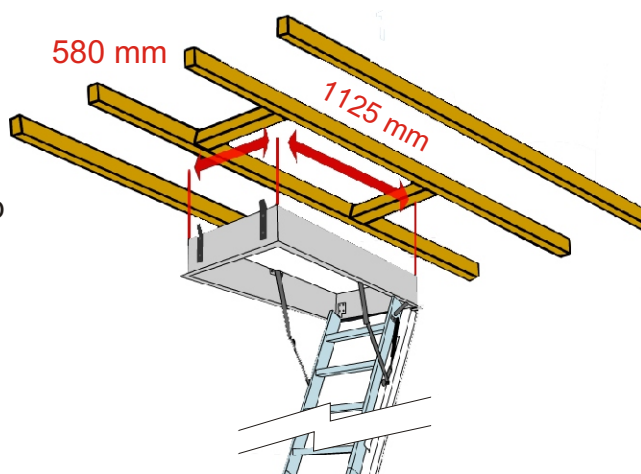
Assembly Instructions

Before you start you will need:

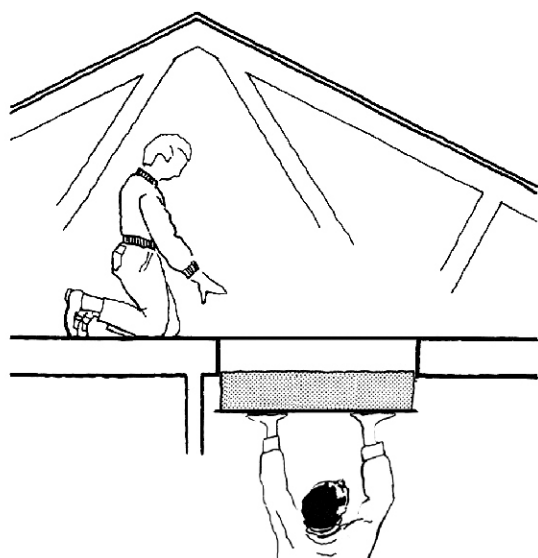
A tape measure or rule, a yardstick and pencil, stanley knife, phillips head screwdriver 4 x roofing screws and driver, 8 x wedges, hacksaw (for Aluminium, wood saw for timber).

- 1 Open the cardboard box and remove the key and these Instructions from the side of the hatch box

- 2 The opening in the ceiling should be 580 mm by 1125 mm and be made up of noggins and designed to take the weight of the ladder.

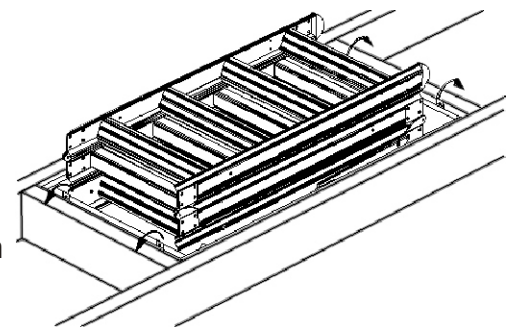


- 3 Two persons are recommended to ensure quick and safe fitting. From below two people lift the ladder into the opening and carefully release once the installation clips have gripped the ladder. Alternatively one person can lift from above using a block and tackle.

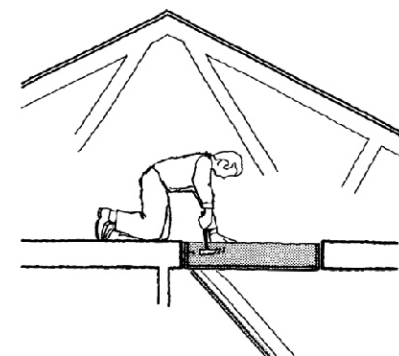
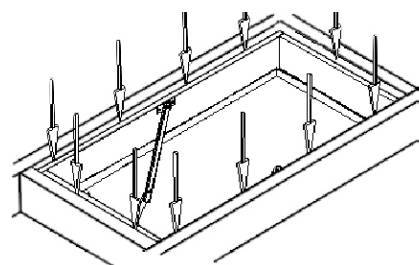


- 4 Carefully open the hatch with the key and open. Climb into the roof space via a step ladder taking with you a hammer, wedges, screwdrivers, a rule and anchoring screws.

- 5 Check that the frame lies flush with the ceiling and that the frame lies symmetrically inside the hole. Next fix the ladder starting with the hinged side. Screw the installation clips so that they force the ladder frame upwards.

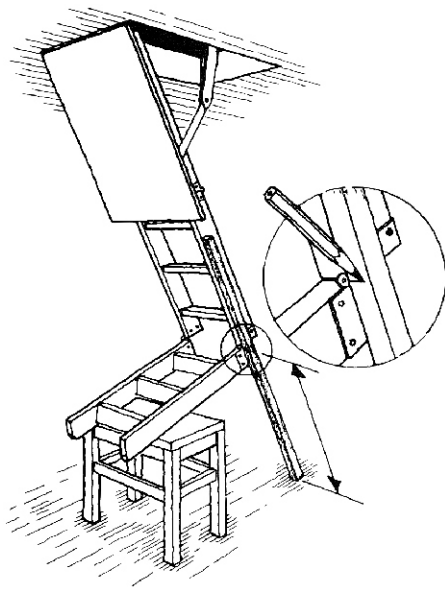


- 6 Centre the ladder hatch within your framed opening using wedges. Check that the diagonals are exactly the same length and that the trapdoor opens and closes easily. To secure ladder, use 4 roofing screws screwed from the inside of the frame through into noggins.

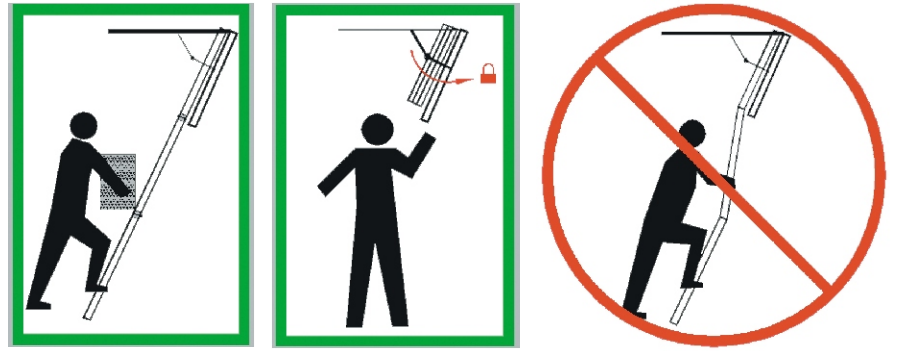


The rest of the installation will happen downstairs. Climb through the open frame using a separate step ladder, taking your tools with you.

7 The next step involves adjusting the ladder's length to suit your ceiling height. Unfold the ladder as shown in the picture and place the bottom on a trestle, the hatch must be full open. **If your ladder is a 3+1** be sure to extend the telescopic section of your ladder to it's full extent (check that the nylon stops on the stringers are resting on their bracket. Measure off the length down to the floor using a yardstick along the second section's rear and with the same slope as the side of the ladder. Mark off at the edge of the ladder's end



10 Important! Open the trapdoor fully, so that the flap is fully down. Unfold the ladder. This should rest firmly on the floor and form a straight line. There should not be any gap between the ladder sections.

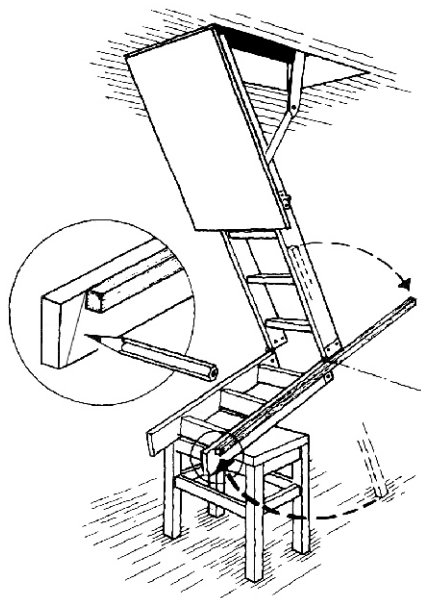


11 Your ladder is now installed. Please follow the maintenance instructions mounted on the hatch.

8a. Wooden Ladder

Place the yardstick on the lowest section of the ladder with the marked line at the upper end. Mark the length on the side of the ladder at the lower end of the yardstick. For the floor angle add 40 mm and mark and draw line between the marks.

Cut off the ladder at the mark. To prevent Scratches on the floor, fit the protective pads



Guardrail

Now that you have successfully installed your ladder you might consider purchasing a guardrail.

You won't have to be fearful of falling down the opening in your ceiling whilst up in the roof space when you use the **enzie** guard-rail.

Safe:

The guardrail is 900 mm high and is fitted with a handrail.



Attractive:

Available in both pluminium and pine.

Easy to install:

Kit includes pre-drilled, pre-cut components complete with hardware and ready for easy install.

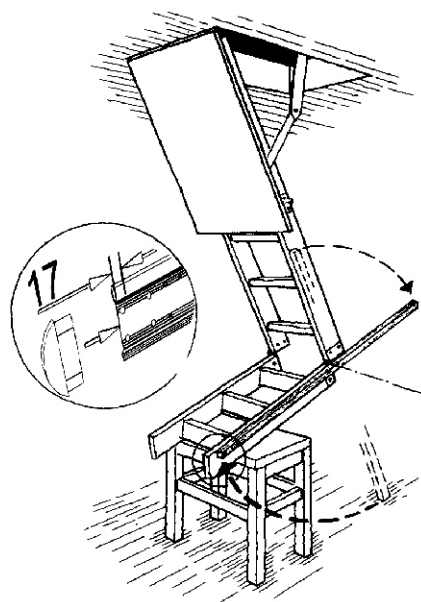


For more information please visit www.roofspaceladders.com

8b. Aluminium Ladder

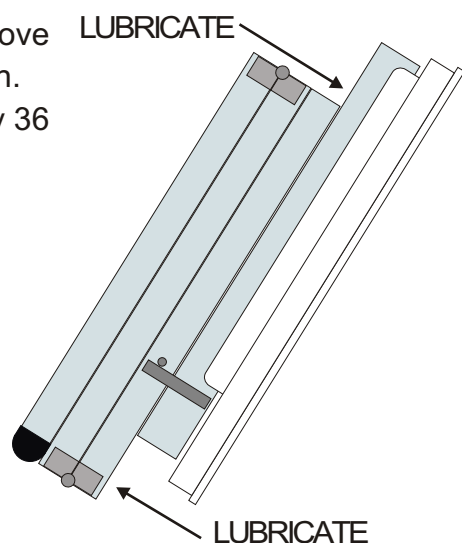
Place the yardstick on the lowest section of the ladder with the marked line at the upper end. Mark off the length of the side of the ladder at the bottom end of the yardstick. An aluminium ladder should be cut shorter as shown in the picture in order to compensate for added feet. The length should be reduced by 17 mm.

Cut off the ladder at the mark. Offer up the pads and drill the holes, finally screw on the pads.



9 3+1 Aluminium Ladder

Lubricate the aluminium groove as indicates in the illustration. Repeat this procedure every 36 months



TRUST THE EXPERTS

enzie stairs have won the Australian Design Award for their spiral staircases which they have been building and installing since 1974. For further information visit www.enzie.com

