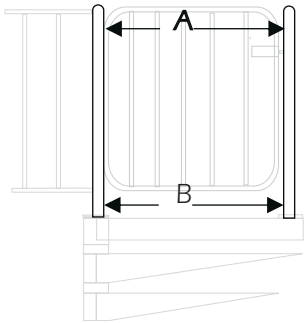




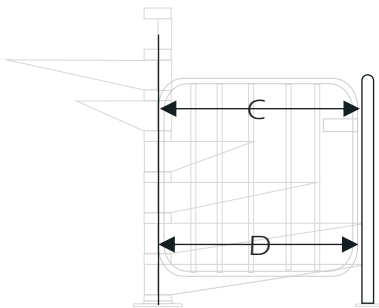
## Standard Detail Gates

### Top Gate



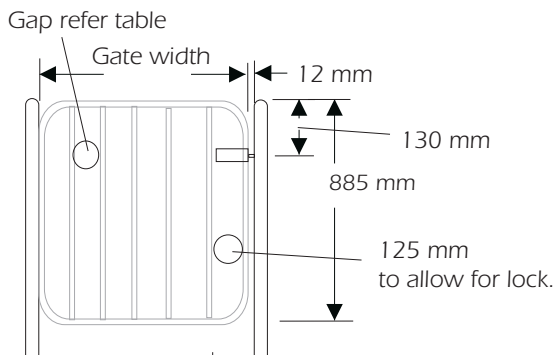
Stair diameter-mm	1880	1750	1500	1300	1070
Gate width-mm	826	761	636	536	421
Number of bars	5	5	4	3	2
Centers balusters-mm	133	120	118	124	129
Width between balusters-mm	117	104	102	108	113

### Bottom Gate



Stair diameter-mm	1880	1750	1500	1300	1070
Gate width-mm	861	796	671	571	456
Number of bars	5	5	4	3	3
Centers between balusters-mm	140	127	127	136	98
Width between balusters-mm	124	111	111	120	82

### Gate Detail



### Site Measure Details

Measurements required to order an enzie gate  
( Clear distance between posts or column and post, in two locations as shown)

Customer.....  
 Address .....  
 .....P/C.....  
 Phone .....

Dimensions:  
 A= ..... B= .....  
 D= ..... C= .....  
 Colour .....